



THE GUITAMMER COMPANY INC.
...leaders in low frequency sound...

Thank you for your purchase of the ButtKicker®, the most powerful, musically accurate and long lasting low frequency audio driver available today.

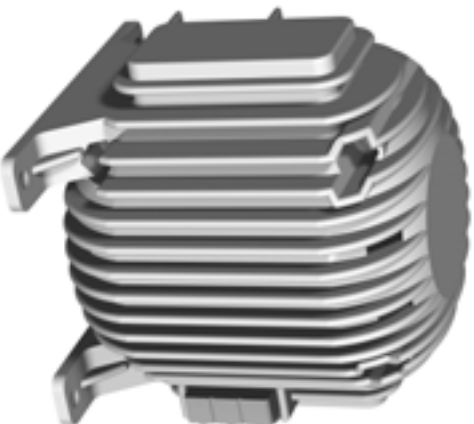
This Quick Start Guide is designed to help you install and use the ButtKicker in three common configurations:

- In your home theater using the Carvin DCM 1000 amplifier and RCA SA-155
- As a musician with drums, keyboard or bass
- Using your own amplifier

If after following these instructions you still have questions please read the enclosed User's Guide and check our website, www.thebuttkicker.com, for additional technical information, specifications and FAQs.

Then, if you are not THRILLED with how the ButtKicker performs please contact us via telephone, email or fax. We will do everything possible to make sure you are completely satisfied.

INSTALL • SHAKE • ENJOY!



smaller, better, more responsive.

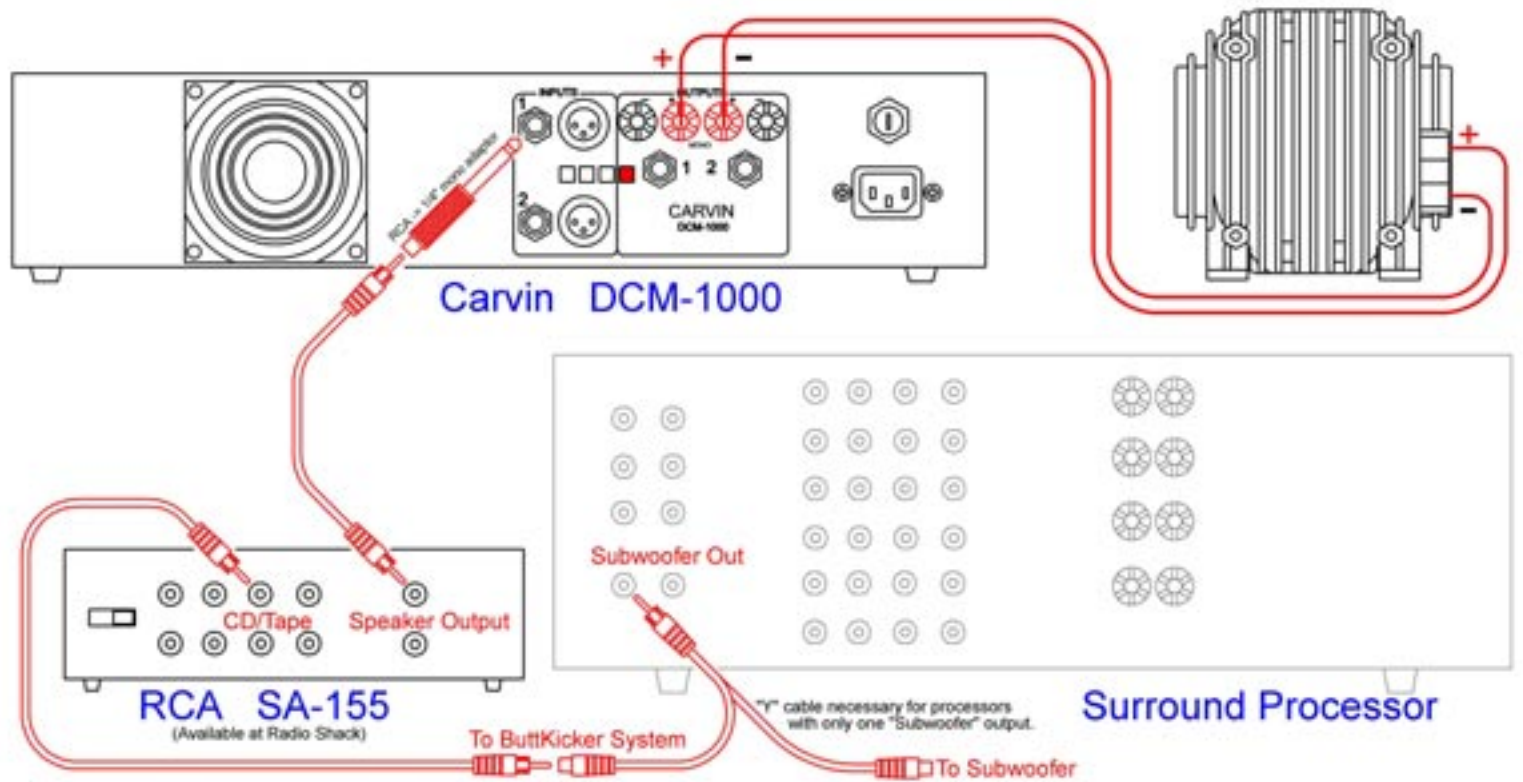
Quick Start Guide

ButtKicker® 2
Feel what you've been missing

The Guitammer Company Inc.
Post Office Box 82
Westerville, Ohio 43086

Post Office Box 82
Info@guitammer.com

Westerville Ohio 43086
phone: 888.876.2028 fax: 815.346.9511



Notes:

- The ButtKicker should be mounted with a vertical orientation, with feet up or feet down.
- Run the Carvin DCM-1000 in bridged mode by depressing the recessed "Bridge" switch.



Most common application, using ButtKicker, Carvin DCM-1000 amp, and RCA SA-155.

This QUICK START portrays three different applications of the ButtKicker Shaker:

- A Home Theater
- B Musician
- C Using Your Own Amp

For information on the placement of the ButtKicker Shaker, please:

1. See the ButtKicker User's Guide.
2. Visit us on the web at: www.thebutt kicker.com
3. Contact us via e-mail: support@guitammer.com

